

# VALVES FOR ARMORED LIQUID LEVEL GAUGES

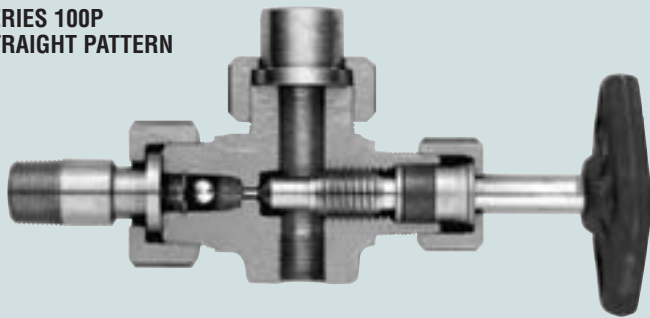
2 7/8"  
(72mm)

4"  
(102mm)

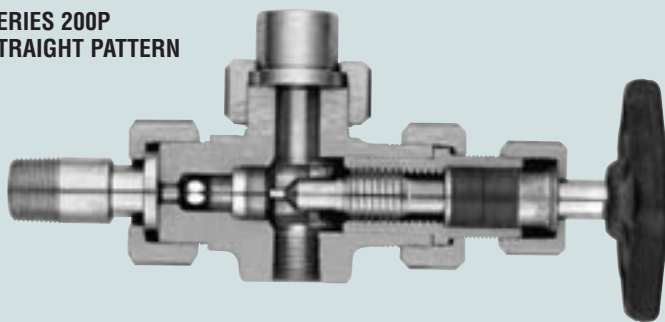
4"  
(102mm)

MAX LEVEL

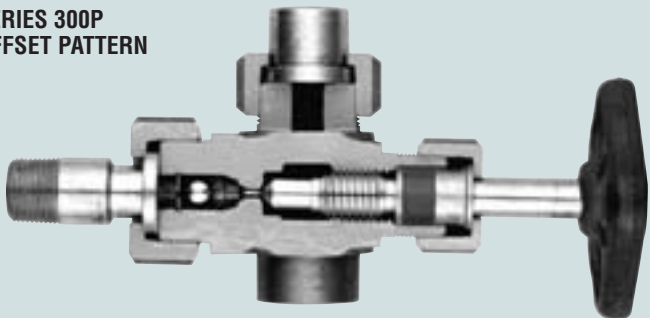
**SERIES 100P  
STRAIGHT PATTERN**



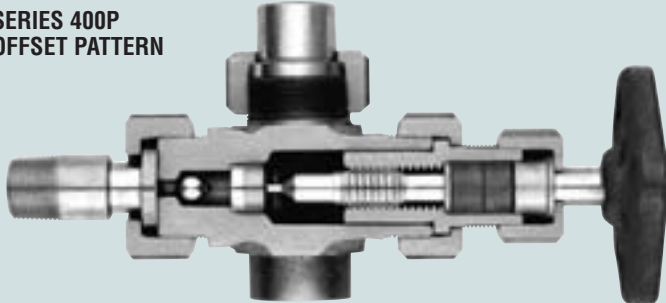
**SERIES 200P  
STRAIGHT PATTERN**



**SERIES 300P  
OFFSET PATTERN**



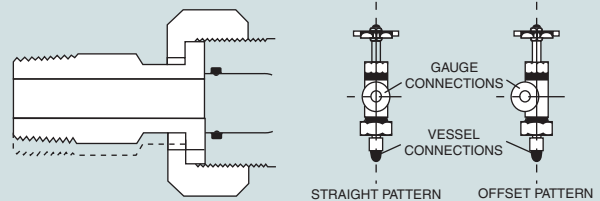
**SERIES 400P  
OFFSET PATTERN**



Our valves are designed for use with reflex or transparent style armored liquid level gauges. Valves are available in steel or type 316 stainless steel. All valves are provided with stainless steel trim. The valves are supplied with a floating shank union vessel connection. This feature allows up to 3/8" variation in center-to-center vessel connections.

Valves are available in both straight and offset pattern designs. These two styles differ in the position of the gauge connection center line in relation to the vessel connection center line. On a straight pattern valve, both connections are on the same center line. In an offset pattern valve, the center lines do not coincide but are offset from each other. This permits the inside of the gauge to be cleaned easily with a minimum of disassembly.

All valves are equipped with stainless steel ball checks. Should the gauge glass break, the balls seat to prevent loss of tank contents.



## STANDARD FEATURES

Series		120P	130P	220P	230P	320P	330P	420P	450P
Pattern:	Straight	●	●	●	●				
	Offset					●	●	●	●
Bonnet:	Integral	●	●			●	●		
	Union			●	●			●	●
Gauge Connection*	Union	●		●		●		●	
	1/2" NPTF: Rigid		●	●	●	●			
Vessel Connection*	Union	●	●	●	●	●	●	●	●
	3/4" NPTF: Rigid								
Vent/Drain Connection	1/2" NPTF:	●	●	●	●	●	●	●	●
Ball Check Shutoff		●	●	●	●	●	●	●	●
Seat:	Integral	●	●			●	●		
	Renewable	●	●	●	●				
4000 PSI Cold Working Pressure		●	●	●	●	●	●	●	●

\*Valves are available with many optional sizes and/or types of gauge and vessel connections. Consult factory for any special design requirements.