

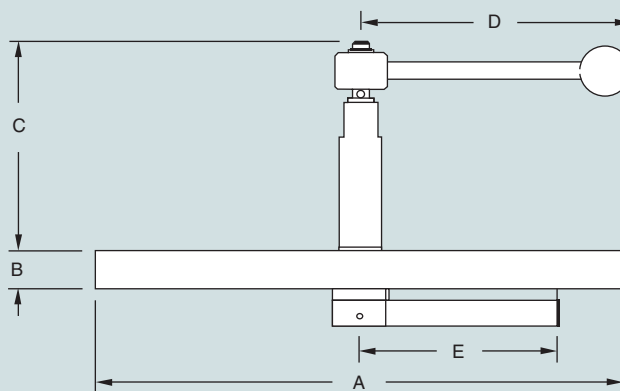
2 7/8"
(73 mm)

4"
(102mm)

4"
(102mm)

SIGHTGLASS ACCESSORIES

Window Wipers



TYPE I WINDOW WIPER

Low Pressure Applications

For low pressures of 15 PSIG/F.V. (1 Barg/F.V.), the Type I window wiper's direct, thru-the-glass mechanism is simple, reliable, and wipes away residue on the inside surface of the lens.

Temperature rating: 400°F (204°C) with Teflon® blade, 350°F (177°C) with Silicon blade. Type I window wiper is available for NW50, NW80, NW100, NW125, NW150, NW200, SV80, SV100, and SV125. These wipers may also be used in combination with Series MSL and PL100 or larger illuminators.

All interior wetted parts of the Type I wiper are constructed of stainless steel.

Specify as TY I WW *Sightglass size*.

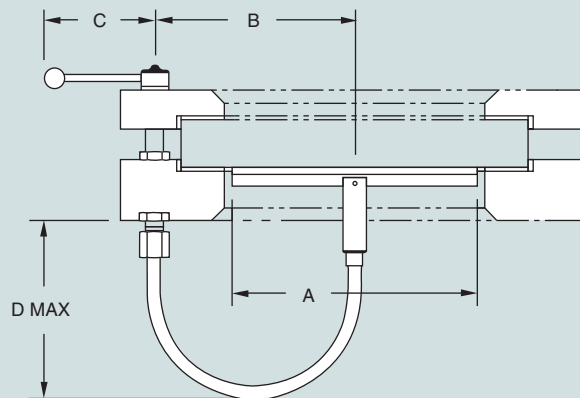
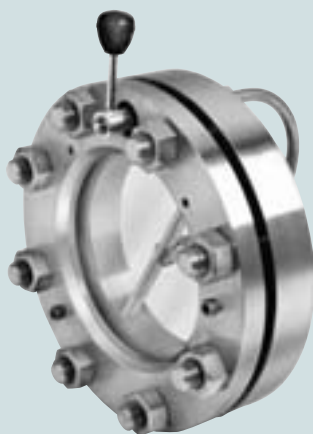
Size	A		B		C		D		E	
	Inches	MM	Inches	MM	Inches	MM	Inches	MM	Inches	MM
NW50	3 ¹⁵ / ₁₆	100	9 ¹ / ₁₆	15	3 ⁵ / ₈	92	4	102	1	26
NW80	4 ¹⁵ / ₁₆	125	9 ¹ / ₁₆	15	3 ⁵ / ₈	92	4	102	1 ¹³ / ₃₂	36
NW100	5 ⁷ / ₈	150	9 ¹ / ₁₆	15	3 ⁵ / ₈	92	4	102	1 ⁷ / ₈	48
NW125	6 ⁷ / ₈	175	9 ¹ / ₁₆	15	3 ⁵ / ₈	92	4	102	2 ³ / ₈	61
NW150	7 ⁷ / ₈	200	9 ¹ / ₁₆	15	3 ⁵ / ₈	92	4	102	2 ⁷ / ₈	73
NW200	9 ¹³ / ₁₆	250	3 ³ / ₄	19	3 ⁵ / ₈	92	4	102	3 ⁷ / ₈	98

TYPE II WINDOW WIPER

High Pressure Applications

For higher pressures up to 200 PSIG/F.V. (13.8 Barg/F.V.) with properly rated lens. For use with weld-in applications only. The Type II window wiper has a unique, thru-the-flange design, with flexible drive shaft that turns a spring-loaded, full-face wiper blade for efficient cleaning. All interior wetted parts constructed of stainless steel. Temperature rating: 400°F (204°C) with Teflon® blade, 350°F (177°C) with Silicon blade. Available for NW100, NW125, NW150, and NW200.

Specify as TY II WW *Sightglass size*.



Size	A		B		C		D	
	Inches	MM	Inches	MM	Inches	MM	Inches	MM
NW100	4 ³ / ₄	120	3 ¹¹ / ₁₆	93	3	77	4 ³ / ₈	110
NW125	5 ⁷ / ₈	148	4 ¹ / ₈	105	3	77	4 ³ / ₈	110
NW150	6 ³ / ₄	172	4 ³ / ₄	120	3	77	5 ¹ / ₈	130
NW200	8 ³ / ₄	222	5 ¹³ / ₁₆	147.5	3	77	5 ¹ / ₈	130