

2 7/8"
(73 mm)

2 3/8"
(60 mm)

SANITARY SIGHTGLASSES

Series SVTC

Series SVTC is designed to provide low cost viewing in sanitary applications found in the food, dairy, and pharmaceutical industries.

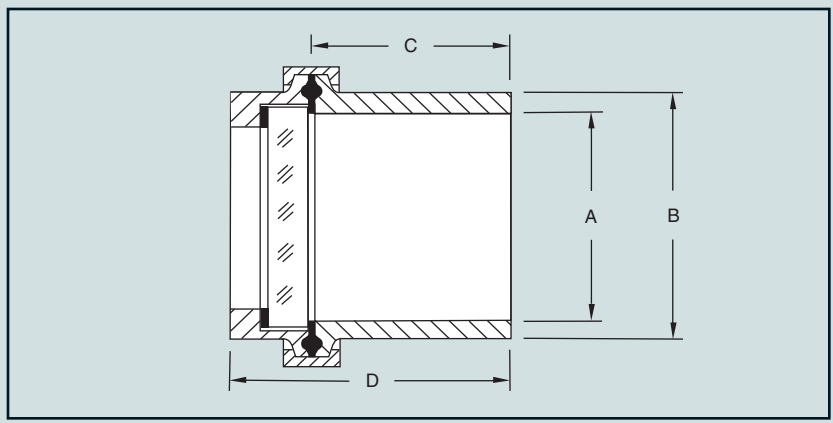
These sightglasses are constructed using a standard sanitary clamping system which provides a uniform leaktight assembly. This construction offers a fast method of assembly or disassembly without the need to use tools. Access to all sightglass components or the vessel's interior is easily obtainable for cleaning or sampling. This sightglass is especially suited for those applications requiring frequent, such as daily, cleaning. Sightglasses can also be provided without the welding ferrule for mounting to existing vessel connections.

Available materials of construction are 304, 304L, 316, and 316L stainless steel. Series SVTC sightglasses are rated for 150 PSIG (10.3 Barg). Optional accessories include Series PL and MSL illuminators and Type I wipers.



Size	DIMENSIONAL DATA										OPTIONS			
	A		B		C		D		APPROX. WEIGHT		PL LIGHT	MSL LIGHT	SLE X RE X	Type I WIPER
	Inches	MM	Inches	MM	Inches	MM	Inches	MM	LBS.	KGS				
1"*	.859	22	1.160	29	1 ⁵ / ₈	41	2 ⁷ / ₁₆	62	2	1	N/A	●	N/A	N/A
1 ¹ / ₂ "	1.356	34	1.676	43	1 ⁵ / ₈	41	2 ⁷ / ₁₆	62	3	1	N/A	●	N/A	N/A
2"	1.856	47	2.192	56	1 ³ / ₄	44	2 ¹¹ / ₁₆	68	4	2	N/A	●	N/A	N/A
2 ¹ / ₂ "*	2.356	60	2.708	69	1 ³ / ₄	44	2 ¹¹ / ₁₆	68	6	3	N/A	●	N/A	N/A
3"*	2.856	73	3.224	82	1 ¹³ / ₁₆	46	3	76	8	4	●	●	●	●
4"*	3.810	97	4.256	108	2 ¹ / ₈	54	3 ³ / ₈	86	11	5	●	●	●	●
6"*	5.782	147	6.000	152	1 ¹ / ₂	38	3 ³ / ₈	86	8	4	●	●	●	●

N/A= Not Available ● = Available Option *= Shown with Optional Clamp and Ferrule



SIGHTGLASSES