



2 7/8"
(73 mm)

4"
(102mm)

SANITARY SIGHTGLASSES

BoroAlloy™ Glass/Metal Alloy

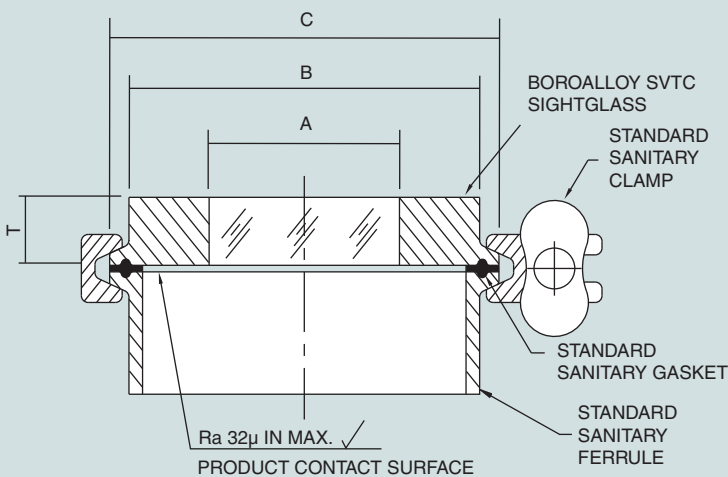
4"
(102mm)



BoroAlloy Clamp Glass/Metal Alloy Sightglasses are a single piece construction. There are no joints or crevices that trap for media, bacteria, or other contaminants. The BoroAlloy Clamp sanitary type windows consist of a borosilicate glass disc surrounded by a prestressed metal ring to form a single homogeneous unit. The result is a smooth seamless alloy of glass and metal.

BoroAlloy Clamp Glass/Metal Alloy Sightglasses are ideal for CIP and SIP requirements since they are seamless composites of stainless steel and borosilicate glass. There are no crevices to trap bacteria or other contaminants and all BoroAlloy Sightglasses have a product contact surface Ra 32µ In Max standard finish.

All BoroAlloy Clamp Glass/Metal Alloy Sightglasses have 3-A Approval for use in sanitary applications. 3-A Sanitary Standards, Inc. has reviewed the BoroAlloy Sightglass design and has found that its unique design is perfectly suited for sanitary applications.



DIMENSIONS

Size	A		B		C		T		WEIGHT (SIGHTGLASS ONLY)	
	Inches	MM	Inches	MM	Inches	MM	Inches	MM	LBS	KGS
1", 1 1/2"	1 1/8	29	1 1/2	38	1.984	50	5/8	16	0.4	0.2
2"	1 1/4	32	2	51	2.516	64	5/8	16	0.6	0.3
2 1/2"	1 1/2	38	2 1/2	64	3.047	77	5/8	16	0.9	0.4
3"	1 3/4	44	3	76	3.579	91	5/8	16	1.2	0.6
3 1/2"	2 1/4	57	3 1/2	89	4.170	106	5/8	16	1.6	0.8
4"	2 1/2	64	4	102	4.682	119	3/4	19	2.4	1.1
6"	3 1/4	83	6	152	6.570	167	3/4	19	5.5	2.5
8"	4 1/2	114	8	203	8.570	218	3/4	19	9.5	4.3

NOTE: Tank welding ferrule and clamp sold separately