

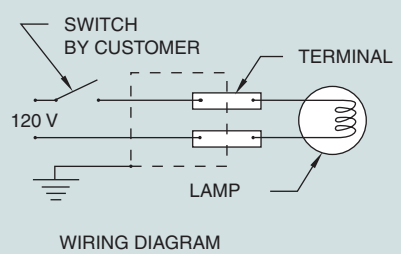
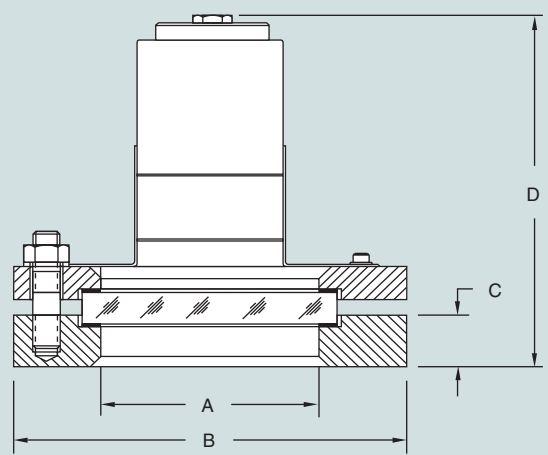
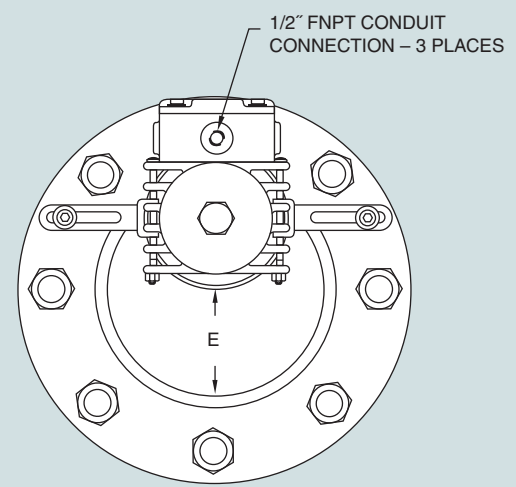
2 7/8"
(73 mm)

2 3/8"
(60 mm)

LIGHT/SIGHTGLASS COMBINATION

Series SLEX/NW, REX/NW

Observing the contents in a processing vessel in a hazardous classified location normally requires the use of two sightglasses: one for lighting, the other for viewing. The Series REX-100/NW and SLEX-100/NW eliminates the expense of an additional port and the expense to install it. The explosion-proof UL-844 & C-UL/CSA C22.2 No. 137 listed Series REX-100 and SLEX-100 lighting units and the corresponding Series NW sightglass provide glare-free illumination precisely where you want it—at the viewing port.



| NOMINAL VIEWING DIAMETER | SIZE | VOLTAGE | WATTS | A | | B | | C | | D | | E | | APPROX. WEIGHT | |
|--------------------------|---------------|---------|-------|---------------------------------|-----|--------------------------------|-----|--------------------------------|----|--------------------------------|-----|--------------------------------|-----|----------------|-----|
| | | | | Inches | MM | Inches | MM | Inches | MM | Inches | MM | Inches | MM | LBS | KGS |
| 5 | SLEX100/NW100 | 115 | 100 | 5 | 127 | 9 | 229 | 1 ³ / ₁₆ | 30 | 10 ¹ / ₄ | 260 | 1 ³ / ₁₆ | 30 | 34 | 15 |
| 6 | SLEX100/NW125 | 115 | 100 | 6 | 152 | 10 | 254 | 1 ⁷ / ₁₆ | 37 | 10 ¹ / ₂ | 267 | 2 ¹ / ₈ | 54 | 41 | 19 |
| 7 | SLEX100/NW150 | 115 | 100 | 6 ⁷ / ₈ | 175 | 11 | 279 | 1 ⁷ / ₁₆ | 37 | 10 ¹ / ₂ | 267 | 3 | 76 | 45 | 20 |
| 9 | SLEX100/NW200 | 115 | 100 | 8 ¹³ / ₁₆ | 224 | 13 ¹ / ₂ | 343 | 1 ⁷ / ₁₆ | 37 | 10 ³ / ₄ | 273 | 5 | 127 | 63 | 29 |

The table also refers to combination light/sightglasses using the REX-100 fixture.

LIGHTING