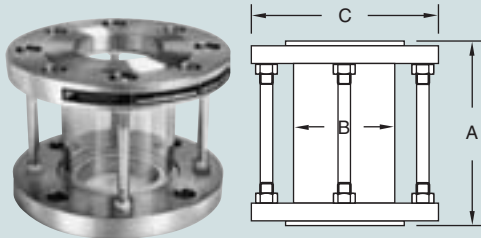


# FULL VIEW SIGHT FLOW INDICATORS

## Series LIF, LIS, and LIG

### FLANGED ENDS SERIES LIF

Series LIF is available with flanged ends faced and drilled to mate with ANSI Class 150 connections.

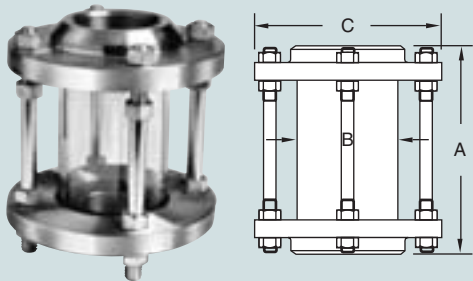


Size	A		B		C		APPROX. WEIGHT		PRESSURE RATING*	
	Inches	MM	Inches	MM	Inches	MM	LBS	KGS	PSIG	BARG
1/2"	3 <sup>7</sup> / <sub>8</sub>	98	1 <sup>1</sup> / <sub>4</sub>	32	3 <sup>1</sup> / <sub>2</sub>	89	3 <sup>1</sup> / <sub>2</sub>	2	150	10.3
3/4"	3 <sup>7</sup> / <sub>8</sub>	98	1 <sup>1</sup> / <sub>2</sub>	38	3 <sup>7</sup> / <sub>8</sub>	98	4	2	150	10.3
1"	4	102	1 <sup>3</sup> / <sub>4</sub>	44	4 <sup>1</sup> / <sub>4</sub>	108	5	2	150	10.3
1 <sup>1</sup> / <sub>2</sub> "	4	102	2 <sup>1</sup> / <sub>2</sub>	64	5	127	6	3	120	8.3
2"	4 <sup>3</sup> / <sub>4</sub>	121	3	76	6	152	11 <sup>1</sup> / <sub>2</sub>	5	100	6.9
2 <sup>1</sup> / <sub>2</sub> "	5 <sup>3</sup> / <sub>8</sub>	137	3 <sup>1</sup> / <sub>2</sub>	89	7	178	15	7	85	5.9
3"	5 <sup>3</sup> / <sub>8</sub>	137	4	102	7 <sup>1</sup> / <sub>2</sub>	191	19	9	100	6.9
4"	7 <sup>1</sup> / <sub>2</sub>	191	5	127	9	229	22	10	70	4.8
6"	10 <sup>1</sup> / <sub>4</sub>	260	7	178	11	279	56	25	45	3.1

\*Extra heavy wall cylinders available for higher pressure ratings.

### THREADED ENDS SERIES LIS

Series LIS is furnished with NPTF threaded ends and available with other special connections upon request.

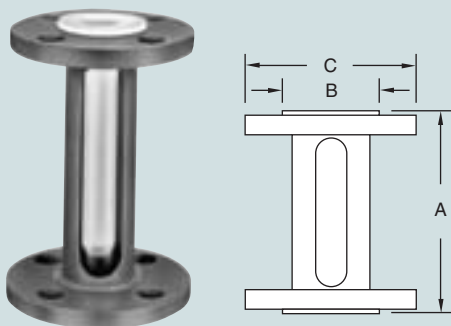


Size	A		B		C		APPROX. WEIGHT		PRESSURE RATING*	
	Inches	MM	Inches	MM	Inches	MM	LBS	KGS	PSIG	BARG
1/8"	4 <sup>3</sup> / <sub>8</sub>	111	1 <sup>3</sup> / <sub>4</sub>	44	3 <sup>3</sup> / <sub>4</sub>	95	2	1	150	10.3
1/4"	4 <sup>3</sup> / <sub>8</sub>	111	1 <sup>3</sup> / <sub>4</sub>	44	3 <sup>3</sup> / <sub>4</sub>	95	2	1	150	10.3
3/8"	4 <sup>3</sup> / <sub>8</sub>	111	1 <sup>3</sup> / <sub>4</sub>	44	3 <sup>3</sup> / <sub>4</sub>	95	2	1	150	10.3
1/2"	4 <sup>3</sup> / <sub>8</sub>	111	1 <sup>3</sup> / <sub>4</sub>	44	3 <sup>3</sup> / <sub>4</sub>	95	2	1	150	10.3
3/4"	4 <sup>3</sup> / <sub>8</sub>	111	1 <sup>3</sup> / <sub>4</sub>	44	3 <sup>3</sup> / <sub>4</sub>	95	2	1	150	10.3
1"	4 <sup>1</sup> / <sub>2</sub>	114	2	51	4 <sup>1</sup> / <sub>4</sub>	108	3	1	150	10.3
1 <sup>1</sup> / <sub>4</sub> "	4 <sup>3</sup> / <sub>4</sub>	121	2 <sup>1</sup> / <sub>2</sub>	64	4 <sup>3</sup> / <sub>4</sub>	121	4	2	120	8.3
1 <sup>1</sup> / <sub>2</sub> "	4 <sup>3</sup> / <sub>4</sub>	121	2 <sup>1</sup> / <sub>2</sub>	64	4 <sup>3</sup> / <sub>4</sub>	121	4	2	120	8.3
2"	5 <sup>1</sup> / <sub>8</sub>	130	3	76	5 <sup>3</sup> / <sub>4</sub>	146	7	3	100	6.9

\*Extra heavy wall cylinders available for higher pressure ratings.

### FLANGED ENDS WITH GUARD SERIES LIG

Series LIG is available with flanged ends drilled to mate with ANSI Class 150 connections.



Size	A		B		C		APPROX. WEIGHT		PRESSURE RATING*	
	Inches	MM	Inches	MM	Inches	MM	LBS	KGS	PSIG	BARG
1"	6 <sup>3</sup> / <sub>8</sub>	162	1	25	4 <sup>1</sup> / <sub>4</sub>	108	6	3	150	10.3
1 <sup>1</sup> / <sub>2</sub> "	6 <sup>3</sup> / <sub>4</sub>	171	1 <sup>1</sup> / <sub>4</sub>	32	5	127	7	3	150	10.3
2"	7 <sup>5</sup> / <sub>8</sub>	194	1 <sup>1</sup> / <sub>4</sub>	32	6	152	13	6	120	8.3
2 <sup>1</sup> / <sub>2</sub> "	7 <sup>7</sup> / <sub>8</sub>	200	1 <sup>1</sup> / <sub>2</sub>	38	7	178	17	8	100	6.9
3"	8 <sup>1</sup> / <sub>8</sub>	206	1 <sup>3</sup> / <sub>4</sub>	44	7 <sup>1</sup> / <sub>2</sub>	191	22	10	85	5.9
4"	8 <sup>1</sup> / <sub>8</sub>	206	1 <sup>3</sup> / <sub>4</sub>	44	9	229	25	11	90	6.2

\*Extra heavy wall cylinders available for higher pressure ratings.

**Standard Materials of Construction:** Carbon steel or stainless steel, annealed borosilicate glass cylinder, and neoprene seals. Other materials available upon request.

**Options and Accessories:** Series LIF and LIS are available with drip tube indicators for low flow rates, acrylic cylinders, and acrylic tube shield protectors\*. All full view sight flow indicators are available with lengths up to 48 inches as well as graduated cylinders for measuring applications.

\*Not for personnel protection.