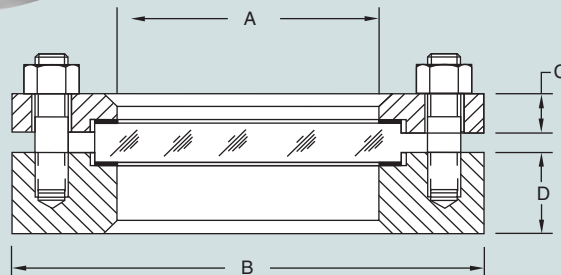
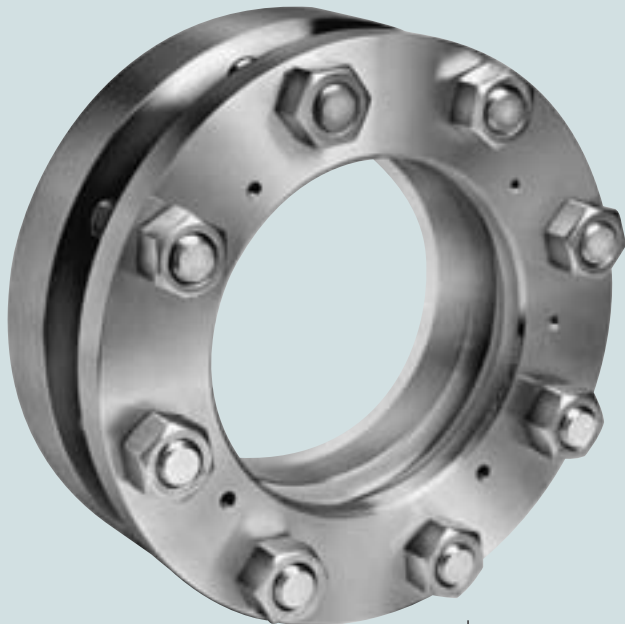


2 7/8"  
(73 mm)

2 3/8"  
(60 mm)

# CIRCULAR SIGHTGLASSES

## Series NW



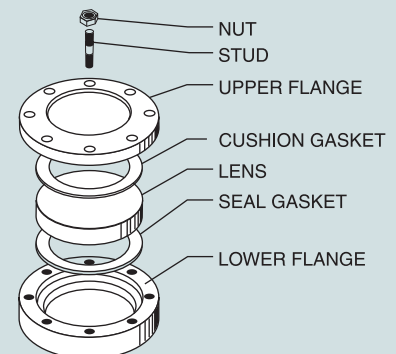
### SERIES NW WELD PAD CONNECTION

Series NW sightglasses are offered with nominal viewing diameters of 3", 4", 5", 6", 7", and 9". Other sizes are available upon request. Series NW sightglasses are manufactured from ASME Section VIII acceptable metals. Each sightglass is thoroughly inspected and will provide long and useful service under the most demanding processing conditions. Optional accessories include Type I wiper, Type II wiper and Type I spray washer or Type II spray washer assemblies. Series NW sightglasses are also available with Series PL, MSL, SLEX, REX, or FBX illuminators.

### SPECIFICATIONS

- Lower flanges constructed of carbon steel and stainless steel are standard. Virtually any machinable alloy can be specified to meet user requirements.
- Sizes NW50, NW80, NW100, and NW125 have standard ratings of 150 PSIG (10.3 Barg) pressure and full vacuum at 300°F (149°C) temperature. NW150 and NW200 are rated standard for 125 PSIG (8.6 Barg) pressure and full vacuum at 300°F (149°C) temperature. Higher pressure and temperature ratings are available upon request.
- The Papailias Co. sightglass lens is tempered soda lime for operating temperatures up to 300°F (149°C) standard. Tempered borosilicate lens material is available for operating temperatures up to 500°F (260°C). Lenses of quartz, Vycor®, and BoroAlloy™ are also available for higher temperatures.
- The standard sightglass seal gasket is neoprene. Teflon®, Viton®, EPDM, and silicon rubber seal gaskets are also available from stock. Virtually any elastomeric material may be specified to meet operating conditions.
- The lower flange can be supplied thicker if required to reinforce the vessel opening in accordance with ASME Section VIII requirements.
- The lower flange can be provided curved cylindrically or spherically to match the vessel geometry. See page 7 for more details.

Size	A		B		C		D		APPROX. WEIGHT	
	Inches	MM	Inches	MM	Inches	MM	Inches	MM	LBS	KGS
NW50	3 1/4	83	7	178	3/4	19	1 3/16	30	18	8
NW80	4	102	7 1/2	191	3/4	19	1 3/16	30	19	9
NW100	5	127	9	229	3/4	19	1 3/16	30	26	12
NW125	6	152	10	254	3/4	19	1 7/16	37	33	15
NW150	6 7/8	175	11	279	3/4	19	1 7/16	37	37	17
NW200	8 13/16	224	13 1/2	343	13/16	21	1 7/16	37	55	25



SIGHTGLASSES